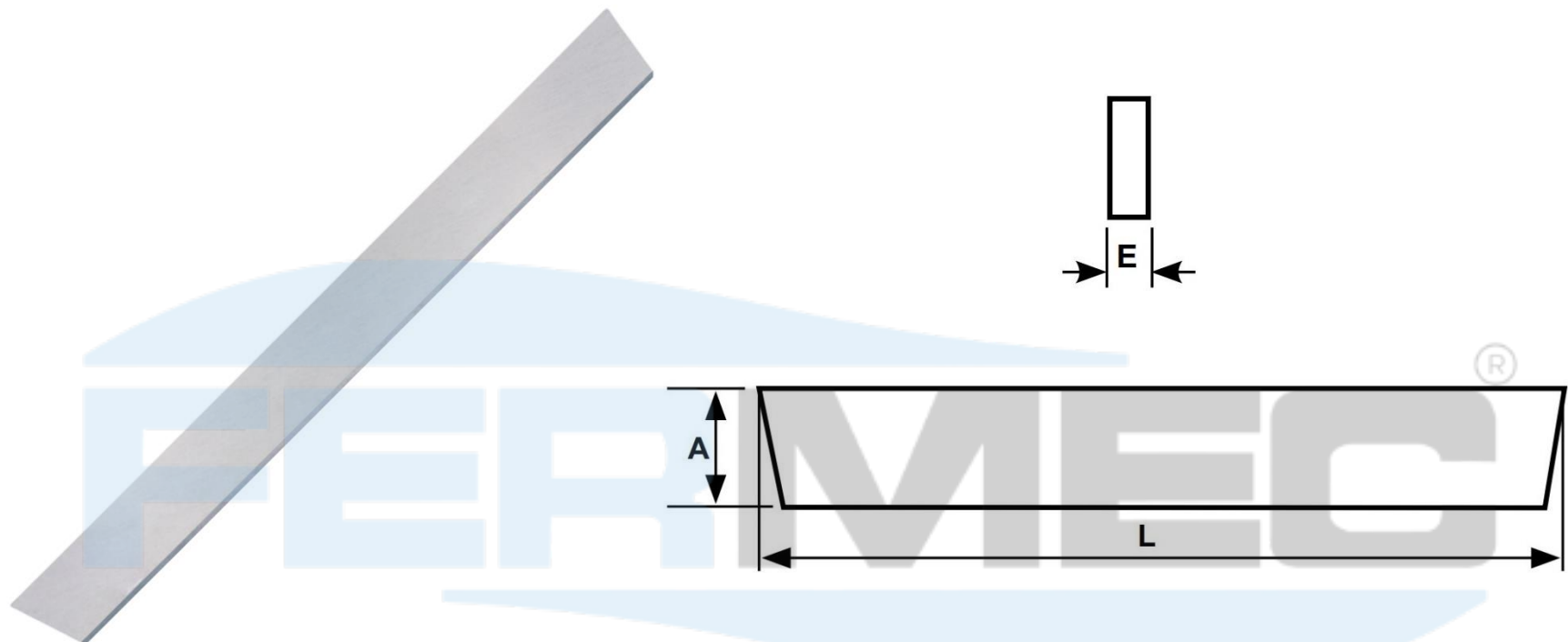


# BEDAME DE AÇO RÁPIDO (HSS)

10% Cobalto



| Código | Bitola A (pol.) | Espessura E (pol.) | Comp. Total L (pol.) |
|--------|-----------------|--------------------|----------------------|
| 58505  | 1/2"            | 1/8"               | 4.1/2"               |
| 58507  | 1/2"            | 1/8"               | 5"                   |
| 58508  | 1/2"            | 1/8"               | 6"                   |
| 58529  | 5/8"            | 3/32"              | 5"                   |
| 58530  | 5/8"            | 3/32"              | 6"                   |
| 58523  | 5/8"            | 1/8"               | 5"                   |
| 58525  | 5/8"            | 1/8"               | 6"                   |
| 58531  | 5/8"            | 5/32"              | 5"                   |
| 58532  | 5/8"            | 5/32"              | 6"                   |
| 58527  | 3/4"            | 3/16"              | 6"                   |
| 58518  | 3/4"            | 3/32"              | 5"                   |
| 58519  | 3/4"            | 3/32"              | 6"                   |
| 58512  | 3/4"            | 1/8"               | 4"                   |
| 58513  | 3/4"            | 1/8"               | 5"                   |
| 58515  | 3/4"            | 1/8"               | 6"                   |
| 58520  | 3/4"            | 5/32"              | 5"                   |
| 58521  | 3/4"            | 5/32"              | 6"                   |
| 58517  | 7/8"            | 3/16"              | 6"                   |
| 58533  | 7/8"            | 1/8"               | 6"                   |
| 58536  | 7/8"            | 5/32"              | 6"                   |
| 58535  | 1"              | 3/16"              | 6"                   |
| 58500  | 1"              | 1/8"               | 6"                   |
| 58504  | 1"              | 5/32"              | 6"                   |
| 58502  | 1"              | 3/16"              | 6"                   |

\* Todas as medidas estão em Polegadas (Pol.)