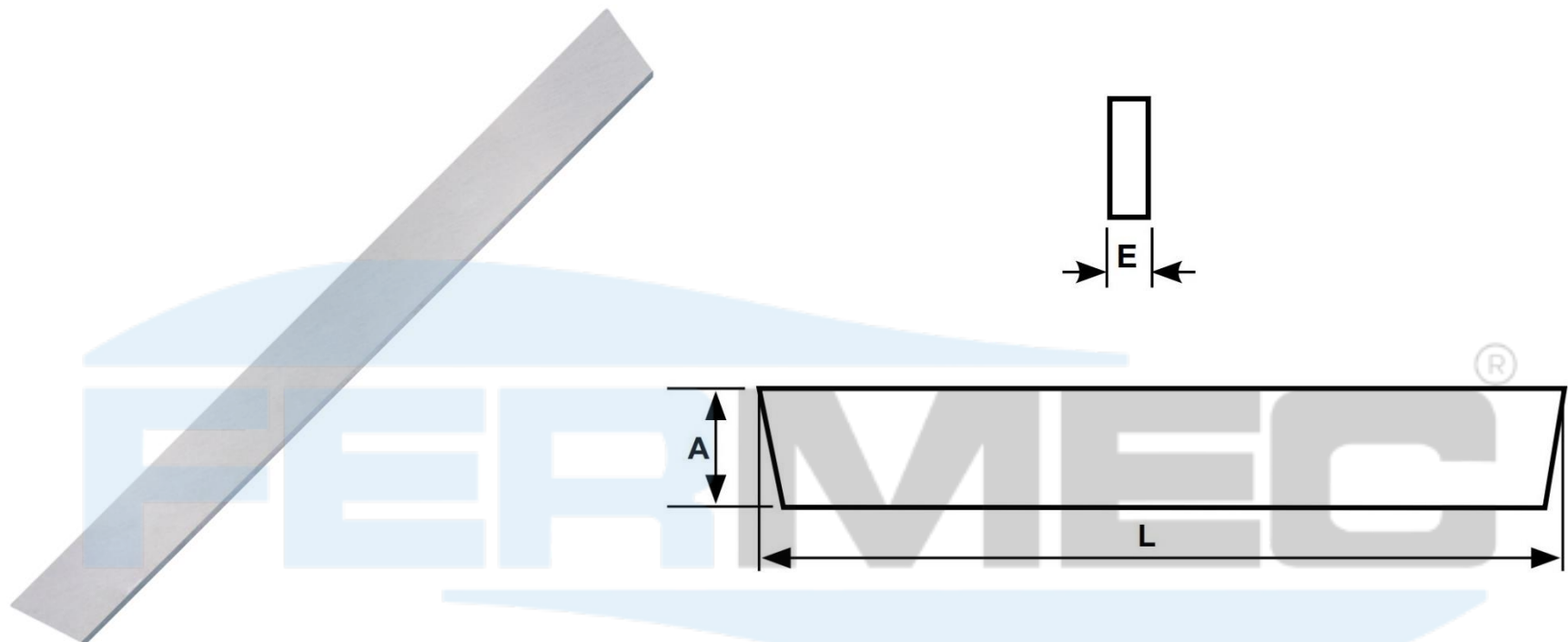


# BEDAME DE AÇO RÁPIDO (HSS)

50% Cobalto



Código	Bitola A (pol.)	Espessura E (pol.)	Comp. Total L (pol.)
48505	1/2"	1/8"	4.1/2"
48507	1/2"	1/8"	5"
48508	1/2"	1/8"	6"
48529	5/8"	3/32"	5"
48530	5/8"	3/32"	6"
48523	5/8"	1/8"	5"
48525	5/8"	1/8"	6"
48531	5/8"	5/32"	5"
48532	5/8"	5/32"	6"
48527	3/4"	3/16"	6"
48518	3/4"	3/32"	5"
48519	3/4"	3/32"	6"
48512	3/4"	1/8"	4"
48513	3/4"	1/8"	5"
48515	3/4"	1/8"	6"
48520	3/4"	5/32"	5"
48521	3/4"	5/32"	6"
48517	7/8"	3/16"	6"
48533	7/8"	1/8"	6"
48536	7/8"	5/32"	6"
48535	1"	3/16"	6"
48500	1"	1/8"	6"
48504	1"	5/32"	6"
48502	1"	3/16"	6"

\* Todas as medidas estão em Polegadas (Pol.)