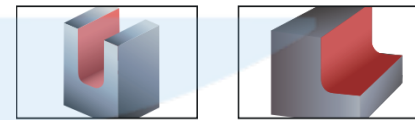
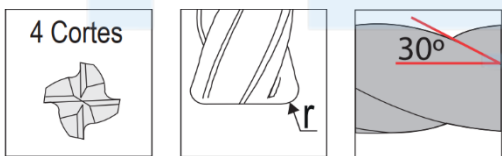
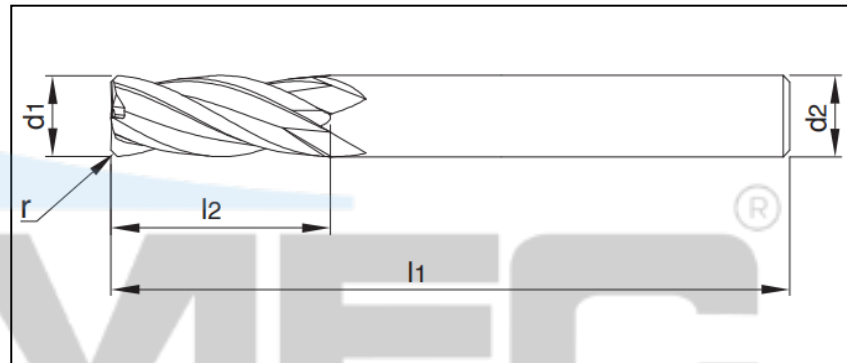
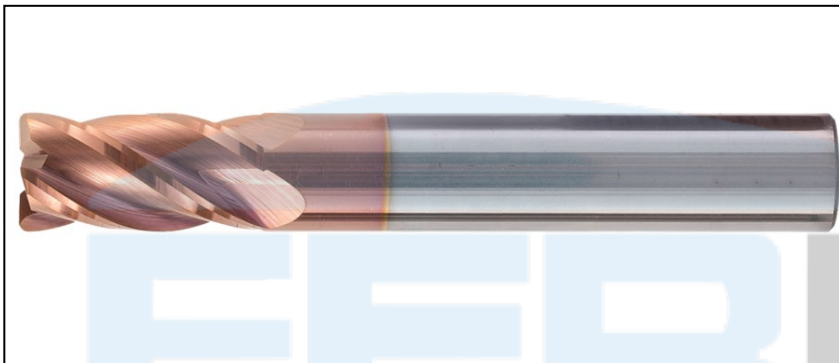


FRESA DE TOPO TOROIDAL DE METAL DURO - 55HRC

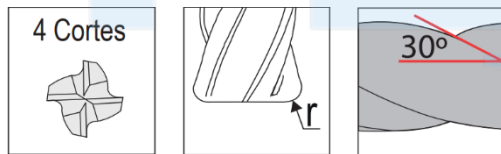
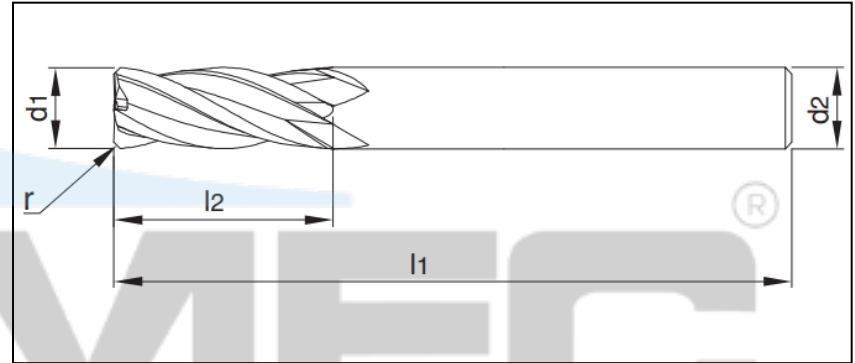
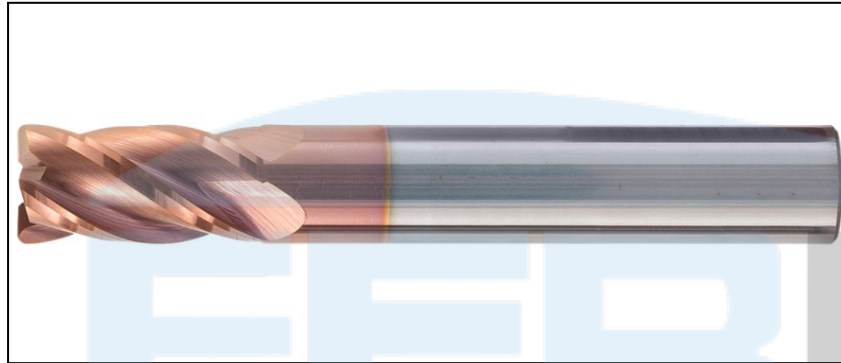
4 CORTES - STANDARD



| Código | d1 | r | l2 | l1 | d2 |
|---------------------------------|-----|-----|----|----|----|
| F MD D 1MM 4C R0.5 H4 C/C 55HRC | 1.0 | 0.5 | 2 | 50 | 4 |
| F MD D 1MM 4C R1.0 H4 C/C 55HRC | 1.5 | 1.0 | 3 | 50 | 4 |
| F MD D 2MM 4C R1.5 H4 C/C 55HRC | 2.0 | 1.5 | 4 | 50 | 4 |
| F MD D 2MM 4C R2.0 H4 C/C 55HRC | 2.0 | 2.0 | 4 | 50 | 4 |
| F MD D 3MM 4C R0.5 C/C 55HRC | 3.0 | 0.5 | 6 | 50 | 3 |
| F MD D 3MM 4C R1.0 H4 C/C 55HRC | 3.0 | 1.0 | 6 | 50 | 4 |
| F MD D 3MM 4C R0.5 C/C 55HRC | 3.0 | 0.5 | 6 | 50 | 3 |
| F MD D 3MM 4C R1.0 C/C 55HRC | 3.0 | 1.0 | 6 | 50 | 3 |
| F MD D 3MM 4C R0.5 H4 C/C 55HRC | 3.0 | 0.5 | 6 | 50 | 4 |
| F MD D 3MM 4C R1.0 H4 C/C 55HRC | 3.0 | 1.0 | 6 | 50 | 4 |
| F MD D 4MM 4C R0.5 C/C 55HRC | 4.0 | 0.5 | 8 | 50 | 4 |
| F MD D 4MM 4C R1.0 C/C 55HRC | 4.0 | 1.0 | 8 | 50 | 4 |
| F MD D 5MM 4C R0.5 C/C 55HRC | 5.0 | 0.5 | 10 | 50 | 5 |
| F MD D 5MM 4C R1.0 C/C 55HRC | 5.0 | 1.0 | 10 | 50 | 6 |
| F MD D 6MM 4C R0.5 C/C 55HRC | 6.0 | 0.5 | 12 | 50 | 6 |
| F MD D 6MM 4C R1.0 C/C 55HRC | 6.0 | 1.0 | 12 | 50 | 6 |
| F MD D 8MM 4C R0.5 C/C 55HRC | 8.0 | 0.5 | 16 | 60 | 8 |
| F MD D 8MM 4C R1.0 C/C 55HRC | 8.0 | 1.0 | 16 | 60 | 8 |

FRESA DE TOPO TOROIDAL DE METAL DURO - 55HRC

4 CORTES - STANDARD



| Código | d1 | r | l2 | l1 | d2 |
|-------------------------------|------|-----|----|----|----|
| F MD D 10MM 4C R0.5 C/C 55HRC | 10.0 | 0.5 | 20 | 75 | 10 |
| F MD D 10MM 4C R1.0 C/C 55HRC | 10.0 | 1.0 | 20 | 75 | 10 |
| F MD D 10MM 4C R1.5 C/C 55HRC | 10.0 | 1.5 | 20 | 75 | 10 |
| F MD D 10MM 4C R2.0 C/C 55HRC | 10.0 | 2.0 | 20 | 75 | 10 |
| F MD D 12MM 4C R0.5 C/C 55HRC | 12.0 | 0.5 | 24 | 75 | 12 |
| F MD D 12MM 4C R1.0 C/C 55HRC | 12.0 | 1.0 | 24 | 75 | 12 |
| F MD D 12MM 4C R1.5 C/C 55HRC | 12.0 | 1.5 | 24 | 75 | 12 |
| F MD D 12MM 4C R2.0 C/C 55HRC | 12.0 | 2.0 | 24 | 75 | 12 |