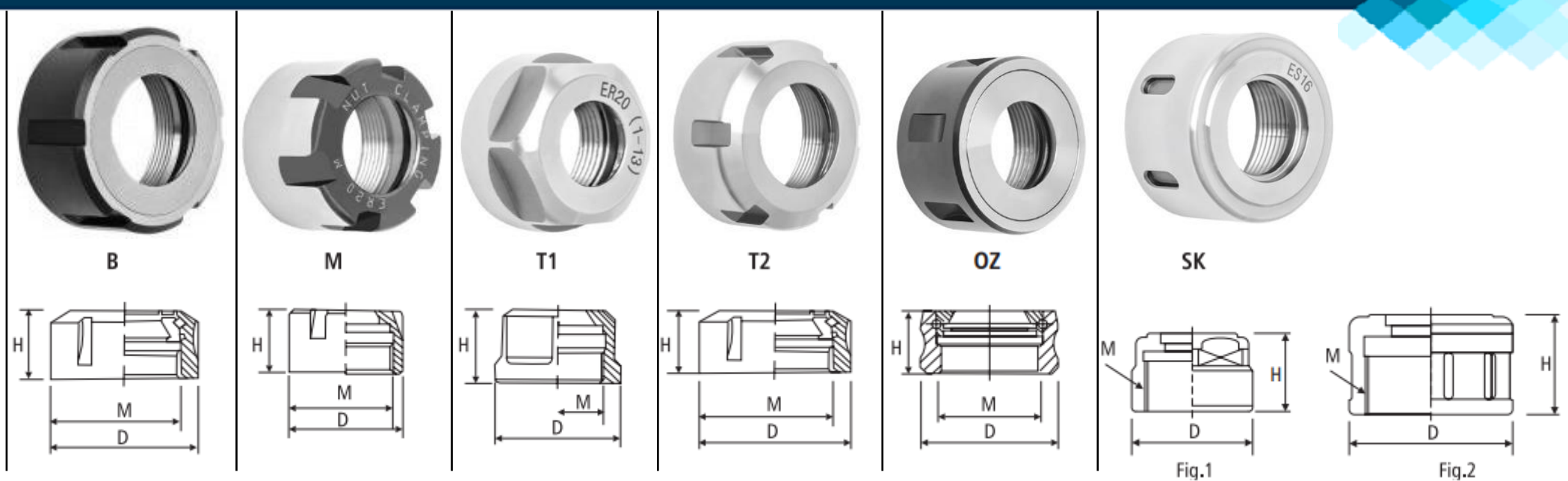


PORCA PARA PINÇA



Código	Modelo	Tipo	D	H	G
01482	ER8-M	M	12	12	M10x0.75
00882	ER11-M	M	16	12	M13x0.75
00202	ER16-M	M	22	18	M19x1.00
01013	ER20-M	M	28	19	M24x1.00
03726	ER25-M	M	35	20	M30x1.00
01509	ER8-T1	T1	13.4	12.2	M10x0.75
01144	ER11-T1	T1	19	12.8	M14x0.75
01145	ER16-T1	T1	28	19	M22x1.5
01510	ER20-T1	T1	34	20.8	M25x1.5
00910	ER25-T2	T2	42	22.2	M32x1.5
00855	ER32-T2	T2	50	24.8	M40x1.5
00203	ER40-T2	T2	63	25.3	M50x1.5
03209	ER50-T2	T2	78	35	M64x2.00
03673	ER16-T2 Balanc. 12.000 RPM	T2	32	17.6	M22x1.5
03725	ER20-T2 Balanc. 12.000 RPM	T2	35	19	M25x1.5
02364	ER25-T2 Balanc. 12.000 RPM	T2	42	20	M32x1.5
02365	ER32-T2 Balanc. 12.000 RPM	T2	50	22.3	M40x1.5
02366	ER40-T2 Balanc. 12.000 RPM	T2	63	25.3	M50x1.5
01511	ER32-B	B	50	22.5	M40x1.5
01512	ER40-B	B	63	25.5	M50x1.5
05055	ER16-T1 Balanc. 20.000 RPM	T1	28	18	M22x1.5
05056	ER20-T1 Balanc. 20.000 RPM	T1	34	19.4	M25x1.5
05053	ER25-T2 Balanc. 20.000 RPM	T2	42	20.5	M32x1.5
05054	ER32-T2 Balanc. 20.000 RPM	T2	50	22.3	M40x1.5
05057	ER40-T2 Balanc. 20.000 RPM	T2	63	25.3	M50x1.5
00616	OZ 25	OZ	60	33	M48x2
02367	OZ 20	OZ	50	33	M42x2
03837	SK-10	SK - Fig.1	27.1	17	M21.5x1.00
03836	SK-16	SK - Fig.2	40	24	M32x1.5