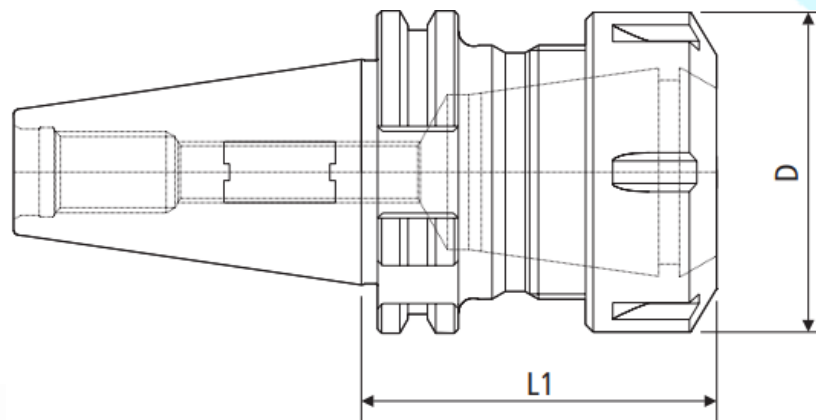


SK - PORTA PINÇAS

(DIN 69871)



Código	Cone	Modelo	Pinça	D (mm)	L1 (mm)	Porca	Refrigeração	Balanceamento	
05815	SK40	SK40 - ER16 - 70	ER16	28	70	T1	AD	G6.3 - 12.000RPM	
05816		SK40 - ER16 - 100	ER16	28	100	T1	AD	G6.3 - 12.000RPM	
02817		SK40 - ER16 - 100	ER16	23	100	M	AD	G6.3 - 12.000RPM	
05819		SK40 - ER16 - 160	ER16	23	160	M	AD	G6.3 - 12.000RPM	
05818		SK40 - ER16 - 160	ER16	28	160	T1	AD	G6.3 - 12.000RPM	
05820		SK40 - ER20 - 70	ER20	34	70	T2	AD	G6.3 - 12.000RPM	
05821		SK40 - ER20 - 100	ER20	34	100	T2	AD	G6.3 - 12.000RPM	
05822		SK40 - ER20 - 160	ER20	34	160	T2	AD	G6.3 - 12.000RPM	
05823		SK40 - ER25 - 70	ER25	42	70	T2	AD	G6.3 - 12.000RPM	
05824		SK40 - ER25 - 100	ER25	42	100	T2	AD	G6.3 - 12.000RPM	
05825		SK40 - ER25 - 160	ER25	42	160	T2	AD	G6.3 - 12.000RPM	
05826		SK40 - ER32 - 70	ER32	50	70	T2	AD	G6.3 - 12.000RPM	
05827		SK40 - ER32 - 100	ER32	50	100	T2	AD	G6.3 - 12.000RPM	
05828		SK40 - ER32 - 160	ER32	50	160	T2	AD	G6.3 - 12.000RPM	
05829		SK40 - ER40 - 70	ER40	63	70	T2	AD	G6.3 - 12.000RPM	
05830		SK40 - ER40 - 100	ER40	63	100	T2	AD	G6.3 - 12.000RPM	
05831		SK40 - ER40 - 160	ER40	63	160	T2	AD	G6.3 - 12.000RPM	
03498P		SK50	SK50 - ER16 - 100	ER16	28	100	T1	AD	G6.3 - 12.000RPM
03499P			SK50 - ER16 - 160	ER16	28	160	T1	AD	G6.3 - 12.000RPM
04046P			SK50 - ER20 - 100	ER20	34	100	T1	AD	G6.3 - 12.000RPM
04047P	SK50 - ER20 - 160		ER20	34	160	T1	AD	G6.3 - 12.000RPM	
03500P	SK50 - ER25 - 100		ER25	42	100	T2	AD	G6.3 - 12.000RPM	
03501P	SK50 - ER25 - 160		ER25	42	160	T2	AD	G6.3 - 12.000RPM	
02095P	SK50 - ER32 - 100		ER32	50	100	T2	AD	G6.3 - 12.000RPM	
02096P	SK50 - ER32 - 160		ER32	50	160	T2	AD	G6.3 - 12.000RPM	
04114P	SK50 - ER32 - 200		ER32	50	200	T2	A	G6.3 - 8.000RPM	
04115P	SK50 - ER32 - 300		ER32	50	300	T2	A	G6.3 - 8.000RPM	
02097P	SK50 - ER40 - 100		ER40	63	100	T2	AD	G6.3 - 12.000RPM	
02098P	SK50 - ER40 - 160		ER40	63	160	T2	AD	G6.3 - 12.000RPM	
04112P	SK50 - ER40 - 200		ER40	63	200	T2	A	G6.3 - 8.000RPM	
04113P	SK50 - ER40 - 300		ER40	63	300	T2	A	G6.3 - 8.000RPM	
02798P	SK50 - ER50 - 100		ER50	78	100	T2	AD	G6.3 - 12.000RPM	