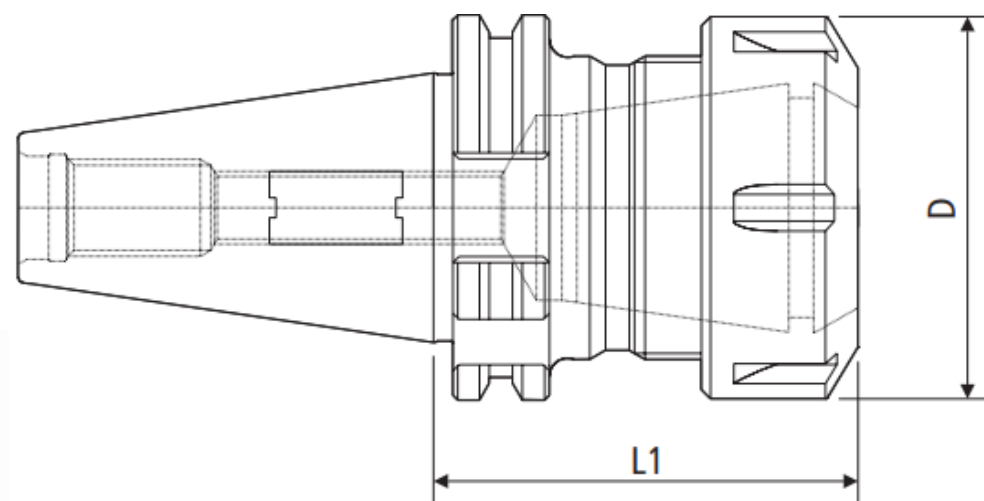


# SK - PORTA PINÇA ER HQT

(DIN 69871)



Código	Cone	Modelo	Pinça	D (mm)	L1 (mm)	Porca	Refrigeração	Balanceamento
01713	SK40	SK40 - ER16 - 63	ER16	28	63	T1	AD/B	CG.3 - 20.000RPM
01710		SK40 - ER16 - 100	ER16	28	100	T1	AD/B	CG.3 - 20.000RPM
01711		SK40 - ER16 - 160	ER16	28	160	T1	AD/B	CG.3 - 20.000RPM
02549		SK40 - ER20 - 60	ER20	34	60	T2	AD/B	CG.3 - 20.000RPM
02550		SK40 - ER20 - 100	ER20	34	100	T2	AD/B	CG.3 - 20.000RPM
02551		SK40 - ER20 - 160	ER20	34	160	T2	AD/B	CG.3 - 20.000RPM
01712		SK40 - ER25 - 60	ER25	42	60	T2	AD/B	CG.3 - 20.000RPM
01852		SK40 - ER25 - 100	ER25	42	100	T2	AD/B	CG.3 - 20.000RPM
02010		SK40 - ER25 - 160	ER25	42	160	T2	AD/B	CG.3 - 20.000RPM
01707		SK40 - ER32 - 70	ER32	50	70	T2	AD/B	CG.3 - 20.000RPM
01853		SK40 - ER32 - 100	ER32	50	100	T2	AD/B	CG.3 - 20.000RPM
02011		SK40 - ER32 - 160	ER32	50	160	T2	AD/B	CG.3 - 20.000RPM
01104		SK40 - ER40 - 80	ER40	63	80	T2	AD/B	CG.3 - 20.000RPM
01714		SK40 - ER40 - 100	ER40	63	100	T2	AD/B	CG.3 - 20.000RPM
02012		SK40 - ER40 - 160	ER40	63	160	T2	AD/B	CG.3 - 20.000RPM
04319		SK 50	SK50 - ER16 - 100	ER16	28	100	T1	AD/B
04320	SK50 - ER16 - 160		ER16	28	160	T1	AD/B	CG.3 - 15.000RPM
04321	SK50 - ER25 - 60		ER25	42	60	T2	AD/B	CG.3 - 15.000RPM
04322	SK50 - ER25 - 100		ER25	42	100	T2	AD/B	CG.3 - 15.000RPM
04323	SK50 - ER25 - 160		ER25	42	160	T2	AD/B	CG.3 - 15.000RPM
04324	SK50 - ER32 - 70		ER32	50	70	T2	AD/B	CG.3 - 15.000RPM
04325	SK50 - ER32 - 100		ER32	50	100	T2	AD/B	CG.3 - 15.000RPM
04326	SK50 - ER32 - 160		ER32	50	160	T2	AD/B	CG.3 - 15.000RPM
04327	SK50 - ER40 - 80		ER40	63	80	T2	AD/B	CG.3 - 15.000RPM
04328	SK50 - ER40 - 100		ER40	63	100	T2	AD/B	CG.3 - 15.000RPM
04329	SK50 - ER40 - 160		ER40	63	160	T2	AD/B	CG.3 - 15.000RPM