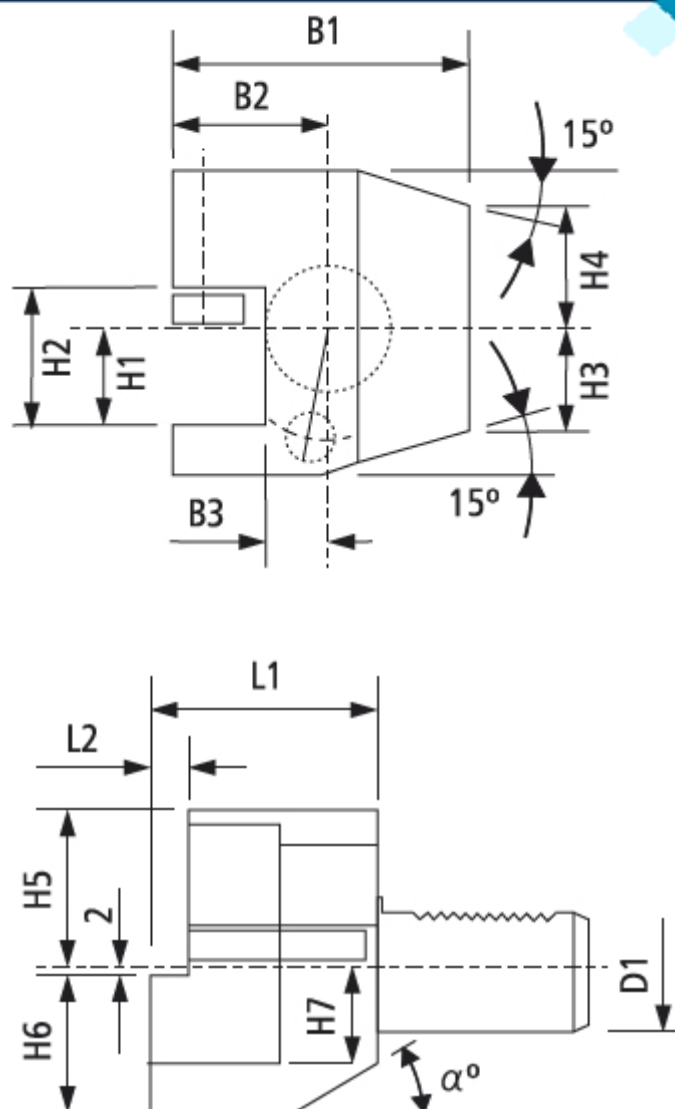


VDI - FRONTAL AXIAL ESQUERDO

DIN 69880 C2



FEARMEC

CÓDIGO	HASTE	H1	B1	B2	B3	H2	H3	H4	H5	H6	H7	L1	L2	a
	D1	mm	mm	mm	mm	mm	mm	mm	mm	mm	mm	mm	mm	
03991	VDI30	20	76	41,0	23,0	29	26	22	28,0	38	30	70	10,0	25°
03992	VDI40	25	90	47,5	25,5	34	35	30	32,5	48	-	85	12,5	-
03993	VDI50	32	105	55,0	30,5	41	42	35	35,0	60	-	100	16,0	-